



Introducing LG Sonic Vertical Profiling System

- ✓ Measures in high resolution
- ✓ Collects data at various depths
- ✓ 50% more affordable



LGSONIC

Measure water quality in high resolution at different depths

Game-changing profiler

The most accurate and cost-efficient way to measure the entire water column is by collecting various water parameters at pre-programmed depths. Our automated Vertical Profiling System saves time and money on monitoring and responding. The Profiler can be pre-set to take samples from a wide range of depths within a water body and measure key water parameters in real-time. Data is transmitted through 4G, radio or satellite to the MPC-View online software.



Next level water monitoring

Every LG Sonic Vertical Profiling System has a rugged design, built to work in the long term for effective and reliable water resource management.

Easy maintenance

- ✓ Safe and easy maintenance. There is no need to bring the profiler back to shore or step onto it.

Affordable

- ✓ 50% more affordable than other vertical profiling systems on the market.

Durable design

- ✓ Resistant to extreme weather conditions and temperatures.

Deep measurement

- ✓ Possible measure up to 100 m in depth. Our experts will assist you with your specific needs.

SCADA integration

- ✓ Collects data in real-time and delivers it to a user-friendly online software. You can access this at anytime, from anywhere.

Cutting-edge technology

- ✓ Advanced system built with the highest quality material.

Noncorrosive mechanism

- ✓ It does not deteriorate easily, ensuring continuous monitoring.

Modular design

- ✓ Can be upgraded with weather station and/or ultrasound transmitters to treat algae blooms.

Control algae in large water surfaces



Applied across industries

- Raw / industrial / irrigation reservoirs
- Lakes
- Dams
- Cooling ponds and towers
- Aquaculture ponds
- Wastewater treatment plants
- Power plants
- Settling ponds
- Crystal- and wastewater lagoons

Monitors key parameters

- NH_4 (ammonium)
- Chlorophyll α (green algae)
- Phycocyanin (blue-green algae)
- pH
- Turbidity
- Dissolved oxygen
- Chemical oxygen demand
- Temperature
- Redox

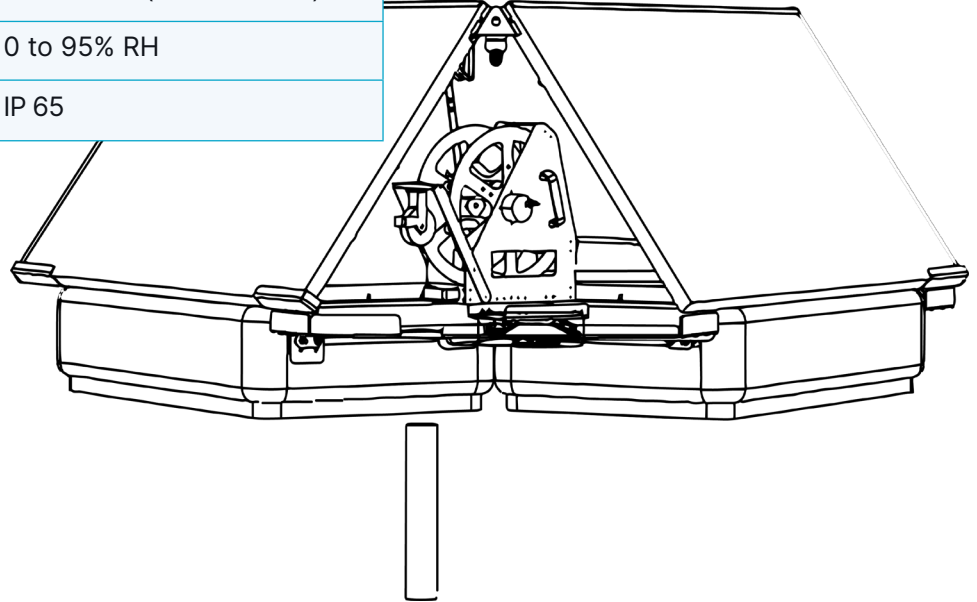


For over a decade, we've invested in research and development and have become leaders in water resource management. Our data-driven technological solutions help water managers save time and money, while guaranteeing the highest water quality.

Yousef Yousef
CEO LG Sonic

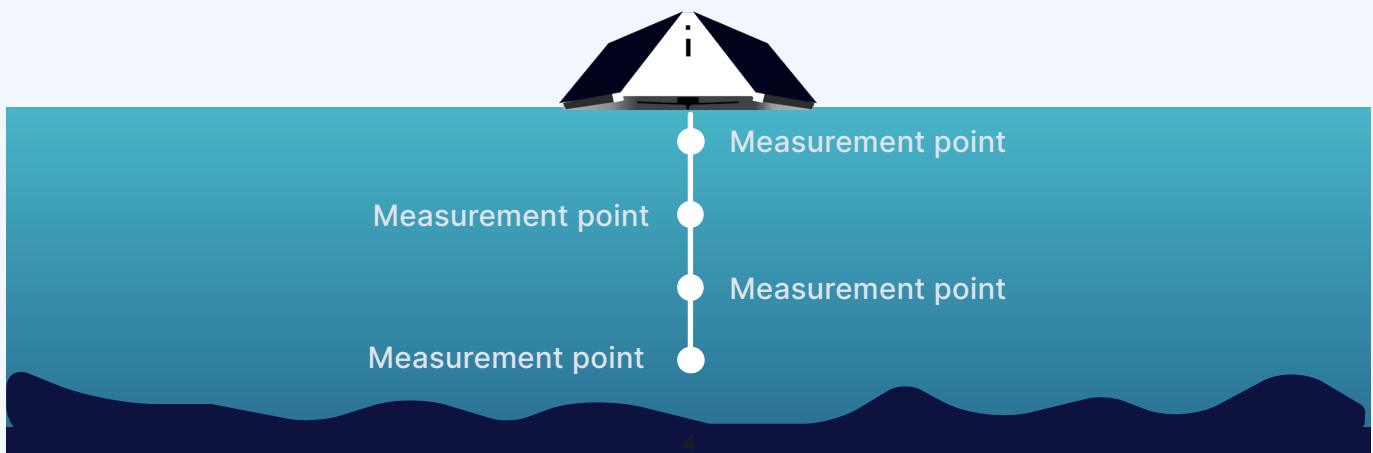
Technical specifications

Minimum profile depth	30 cm (1 ft)
Maximum profile depth	100 m (230 ft)
Weight	12 kg (26.5 lb)
Operating temperature	0° to 50°C (32° to 122°F)
Operating humidity	0 to 95% RH
Ingress protection	IP 65



Why do you need vertical profiling?

- 1 Detect algae blooms and other possible harmful events early on.
- 2 Evaluate temperature differences throughout the water columns.
- 3 Determine where oxygen varies.
- 4 Track the vertical distribution of algae populations and species.
- 5 Detect pollutants.
- 6 Make informed decisions.

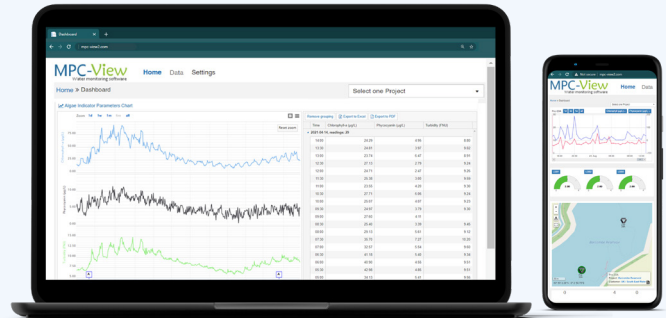


Get real-time water quality insights

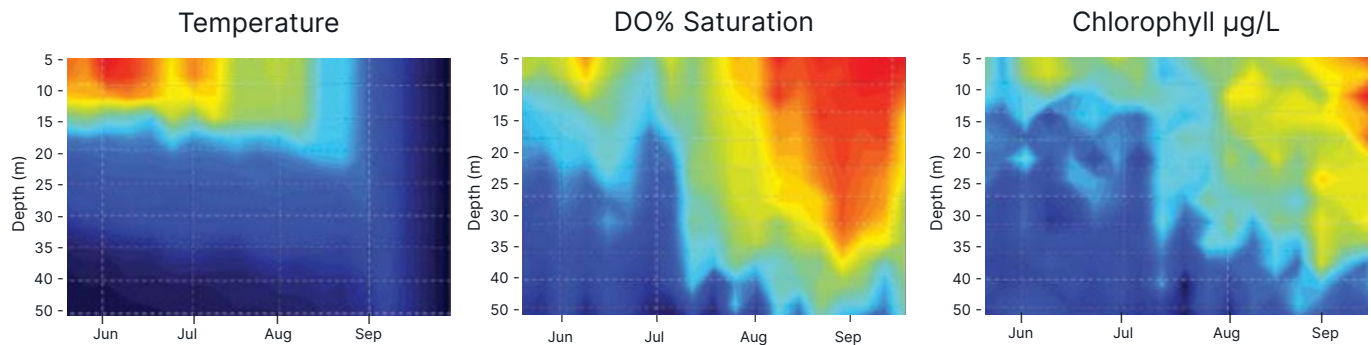
Meet the MPC-View

MPC-View is an advanced web-based software. It provides a complete water quality overview of one or more water bodies.

- ✓ Real-time insights into your water quality
- ✓ Data transfer through 4G or satellite
- ✓ Ultrasonic programs change based on the water quality data received



MPC-View features



- ✓ The software receives, summarizes, and publishes data into charts, tables, and spreadsheets on your personal webpage.
- ✓ Allows you to follow the algae treatment progress and the status of the units.
- ✓ Based on the data, ecologists, biologists and technicians from LG Sonic modify the ultrasonic program for effective treatment.
- ✓ Set alarms for changing water conditions and maintenance activities.

Remote sensing is also integrated into MPC-View. This allows you to view the historic data of a specific water body, and further optimize the treatment.

What other products do you need?

Additional quality sensors

Advanced measurements with smart sensors. The sensors are protected by an appropriate casing. They are equipped with a wiper mechanism for automatic cleaning after each reading, keeping the maintenance to a minimum.

- Sensor measurements can be turned on/off



LG Sonic PO₄ sensor

By measuring PO₄ in a water body, you're able to predict harmful algae blooms and you gain a better understanding of the different PO₄ sources in your water.

- Reliable measurements at different depths
- 2-POINT calibration with each measurement
- High durability of reagents
- User-friendly and highly customizable
- More affordable than other PO₄ sensors
- Operates completely autonomously
- The sensor can be supplied on a stable buoy

Weather station

Our Weather Station is a low-maintenance unit that enables more accurate algae bloom predictions by integrating local weather data into your MPC-Buoy and MPC-View software.

- Real-time weather data
- Highly customizable
- Low maintenance



About LG Sonic

We're global leaders in sustainable algae management. Our patented ultrasound integrated into our technologies can be remotely controlled by our team of experts.

For over 10 years, we've invested in research and development. Today, we deliver technological solutions that restore aquatic ecosystems without the use of chemicals or other pollutants.

100+
Clients

55+
Countries

12+
Industries served



LG Sonic US

In 2018, we opened our US office and expanded our business in North America. Ever since, we've been able to better service the needs of our customers. We're running algae treatment projects across the states, including California, New York, Florida, New Jersey, Pennsylvania, Colorado, and Georgia.

Scranton, PA 18503
+1 833 547 6642
info@lgsonic.com

International offices

LG Sonic Europe

Zoetermeer, the Netherlands
+31 070 770 9030
eu@lgsonic.com

LG Sonic MENA

Dubai, United Arab Emirates
+971 525 833 126
mena@lgsonic.com

LG Sonic Brazil

Florianópolis, SC
+55 489 9987 0382
brazil@lgsonic.com

LG Sonic Asia

Singapore
+65 4637 9372
asia@lgsonic.com

LGSONIC

Award-winning innovation



LGSONIC

LG Sonic US office

Scranton, PA 18503

+1 833 547 6642

www.lgsonic.com

info@lgsonic.com